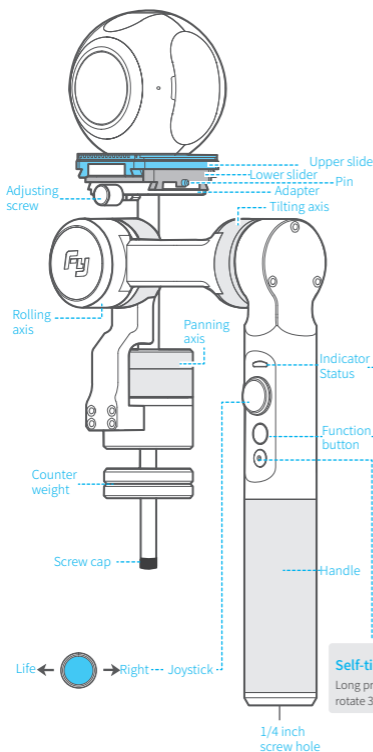


G360

G360 Panoramic Camera Gimbal

Compatible with Samsung gear 360/Kodak pixpro sp360/Kodak
pixpro sp360 4k/Sony FDR-X3000 etc.



Indicator Status	Mode / Status
Blue light flashes once	Panning mode
Blue light flashes three times	Standby
Blue light is always on	Lock mode / Initializing
Blue light keeps flashing	Initialization failure / Malfunction
Red light flashes three times	Low battery
Red light keeps flashing	Switching to standby mode/ Gimbal will power off

Function button

You can use the function button to switch the working mode, power on or power off the gimbal. Please refer to chapter "Modes / Functions".

Self-timer button

Long press the selfie button, the lens will horizontally rotate 360°, release for positioning

Parts List



USB cable X1



Batteries
(Type:22650)X1



20g counter weight



30g counter weight



40g counter weight



100g counter weight

User Guide

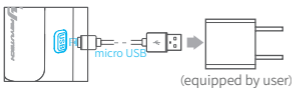
⚠ Attention!

- (1) Please install the camera before powering on the gimbal
- (2) When not in use, turn off the gimbal and then remove the camera

1 Charging

Please make sure the battery is fully charged before you use the gimbal for the first time.

Option 1: Charge with micro USB cable.



Option 2: remove the battery and charge the battery with charger (equipped by user).

2 Download APP

Download "Feiyu ON" and install it.

(1) iOS version:

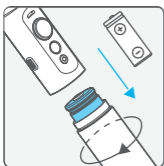


(2) Android version:



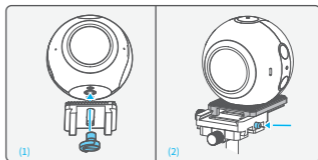
3 Install the battery

Remove the handle and insert one 22650 battery into it.



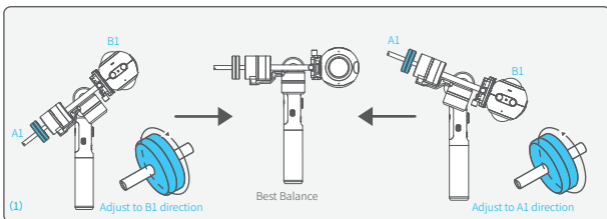
4 Install the Camera

- (1) Align the camera mounting hole with the upper slider center slot and tighten the screw to secure it.
- (2) Hold the pin first, then place the upper slider with the camera on the lower slider and tighten screw.



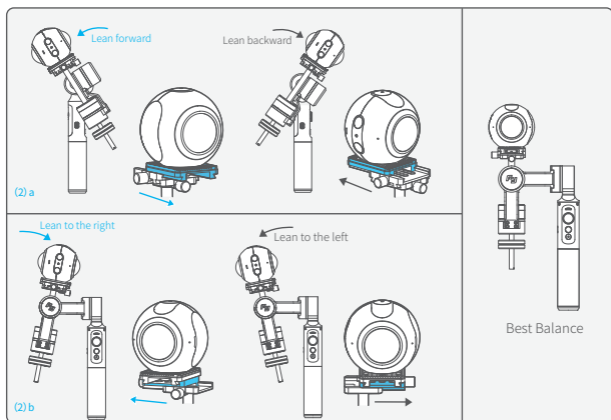
5 Camera balance adjustment

- (1) Adjust the horizontal center of gravity with the counterweight
a. Place a counterweight of a similar weight to the camera on the gimbal and tighten the counterweight in the opposite direction.
b. Adjust as follows to get the best balance.



(2) Adjust the vertical center of gravity by the upper and lower sliders

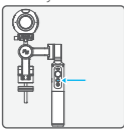
Tip: Loosen the screw to adjust, please don't take out the screws from the sliders.



6 Power on / off

Power On: Press and hold function button until the green light is on.

Power Off: Press and hold function button until the red light changes from quick flashing to always on.



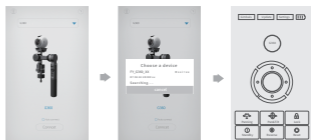
Attention: Make sure the camera is secure before powering on the Gimbal.



In case of low battery, the red LED indicator flashes for three times for every 5 seconds. Please charge G360 or replace the battery.

7 Connect to APP

Start the app on your smartphone, follow the instructions to connect the smartphone with gimbal via Bluetooth.



Modes / Functions

Working Modes

Panning Mode

Tilting and rolling direction are fixed, and the camera lens moves according to the hand movement of the user.

* The gimbal will work in panning mode after powering on.

Panning and Tilting Mode

The rolling direction is fixed, and the camera lens moves according to the hand movement of the user.

Lock Mode

The orientation of the camera is fixed.

Other Functions

Reset

Reset to initial status.

Stand-by

Motor stops working.

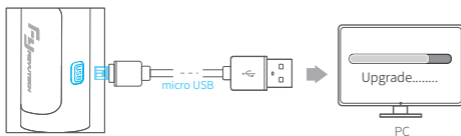
Mode / Function Operation Instructions

Function Button	Function	Explanation
Single tap	Panning Mode / Lock Mode	Single tap to switch between panning mode and lock mode
Quadruple tap	Reset	Reset the tilting axis of the gimbal to initial orientation and initial mode
Long press until the red light flashes quickly	Standby	Single tap again to awake the gimbal, or triple tap to initialize the gimbal

Firmware Upgrade

(1) Option 1: connect the gimbal with PC via micro USB cable, and then upgrade the firmware.

Please visit the official website www.feiyu-tech.com to download the relevant programs for upgrading, including USB driver, firmware upgrade software and product firmware, and install the relevant software, decompress the firmware files for standby application.



(2) Option 2: connect the gimbal with Smartphone via bluetooth, and then upgrade the firmware.

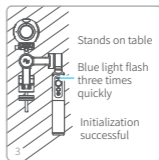
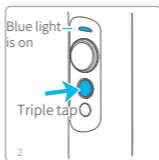
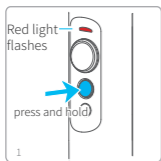


Gimbal initialization

You can initialize your gimbal when:

- (1) camera is not level
- (2) if not used for a long period of time
- (3) in case of extreme temperature variations

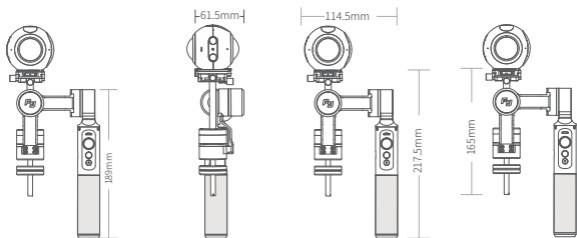
Adjusting steps:



Parameters

Titling Angle	360°	Titling Increments	min 2°/s max 75°/s
Rolling Angle	100°	Panning Increments	min 3°/s max 150°/s
Panning Angle	360°	Usage time	6 Hours
Counter weight	20g, 30g, 40g, 100g		
Weight	360g (Not including battery, camera or counter weight)		
Adaption	Camera with 1/4 inch screw hole, weight 100~300g.		

Unit: mm



DISCLAIMER

Prohibit any user for any illegal purpose. Users will be responsible for all behaviors of purchase and use products.

The Company assumes no liability for any risks related to or resulting from the debug and use of this product (including the direct, indirect or third-party losses).

For any unknown sources of using, we will not be at any services.

The updating and changes of product firmware and program may cause changes in function descriptions in this user manual, please read the instructions carefully before upgrading the firmware and use the corresponding user manual.

You can get the latest user manual from the official website: www.feiyu-tech.com

Feiyu Tech reserves the right to amend this manual and the terms and conditions of use the product at any time.

Attention

- Please correctly assemble the gimbal in accordance with the diagram
- Please install the camera before powering on the gimbal
- When the gimbal is not in use or placed on the table, please ensure it is powered off



Create More Possibilities

For more information, please visit our official website:

www.feiyu-tech.com

Support Email: service@feiyu-tech.com

Due to software and hardware improvements, your actual product might differ from the descriptions and pictures in this user manual. You can get the latest user manual from the official website.



www.feiyu-tech.com